

Introduction

► Feature

- Line pull: 907 kg / 2,000 lb wire rope first layer
- Wire rope: 4 mm x 15.2 m (5/32" x 50') synthetic rope SK-75
- Brake: Mechanical and dynamic brakes for 100% braking
- Clutch: Turn the shifter for rapid wire rope payout
- Control: Handlebar rocker switch to power the winch

► Unpacking

- Winch assembly..... 1 pc
- Handlebar rocker switch kit 1 pc
- Hawse fairlead 1 pc
- Synthetic rope w/hook 1 pc
- Contactor pack 1 pc

► Read this manual carefully

You should carefully read and understand this manual before operating it. Careless winch operation may result in personal injury hazards or property damage.

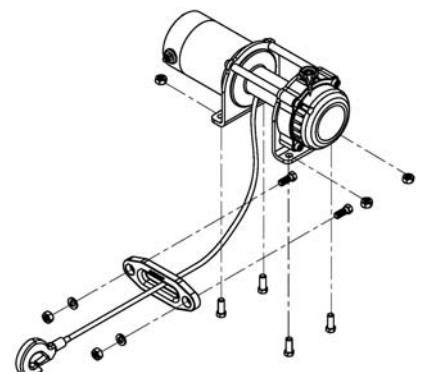
► Information requesting or parts ordering

Please specify the followings information:

- Winch PN
- Serial number
- Part description
- Replacement part number
- Quantity for each part

Installation

Before using the winch, make sure all electrical components have no corrosion or damaged; the environment should be clear and dry.

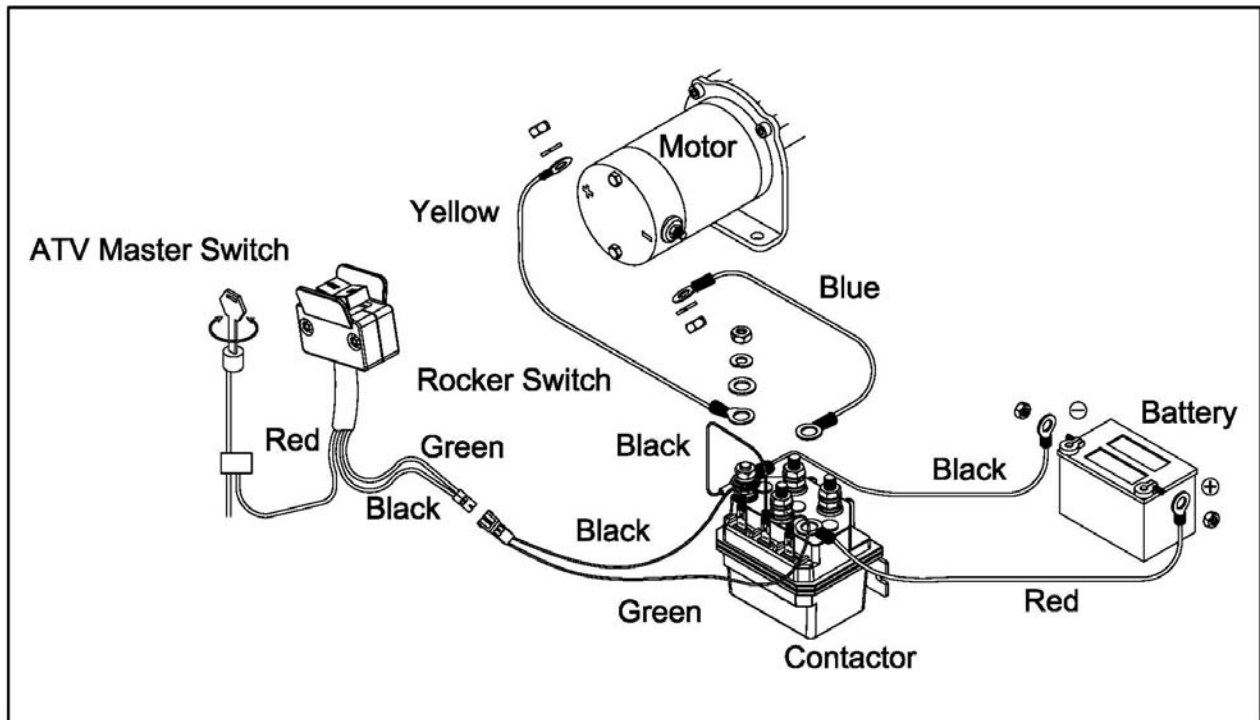


► Wire rope replacement

- It is very important that the winch will be mounted on a flat and hard surface of base plate in order to make sure the motor, drum and gearbox housing are aligned correctly.
- Hawse fairlead does not mount to winch directly.
- The Synthetic rope shall be wound in an under-wound orientation only.
- Four (4) M8 x 25L 8.8 grade high tensile steel bolts must be used in order to sustain the loads imposed on the winch mounting.
- Two (2) M8 x 20L 8.8 grade high tensile steel bolts must be used for fastening the roller fairlead into the base plate.

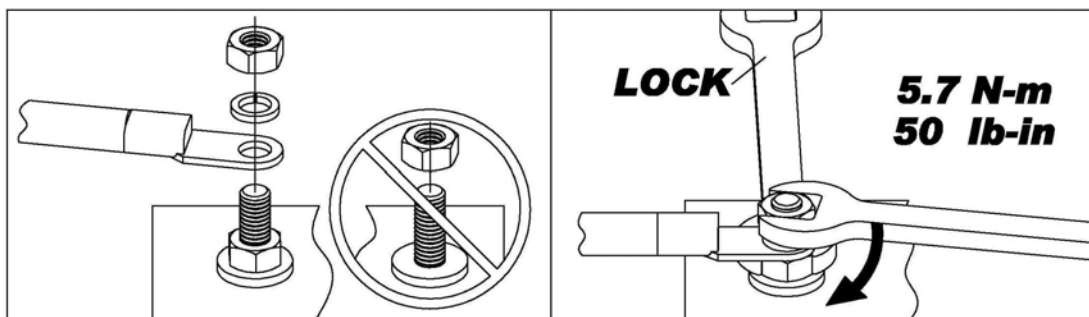
► Wiring Diagram

Attach the black lead firmly to the negative (-) battery terminal and red lead to the positive (+) battery terminal. The voltage drop for the winch motor must not exceed 10% of the nominal voltage of 12V DC.



► Nut fastening for motor & contactor

1. Holding the lower nut on the stub and fastening the upper nut clockwise.
2. The torque setting for nut is 5.7 N-m / 50 lb-in.

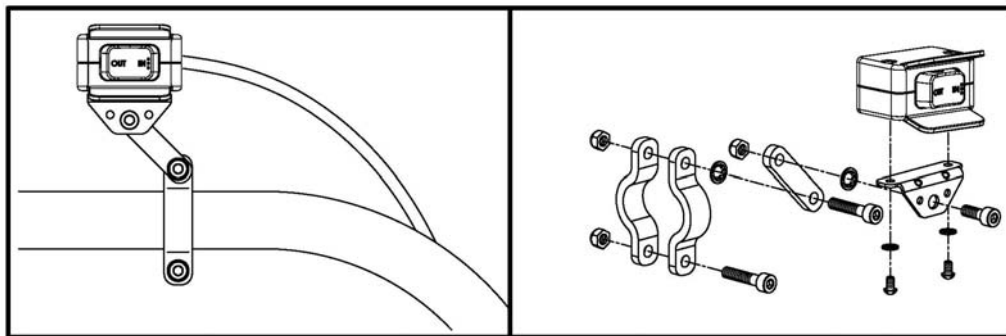


Warning

- The winch is not intended to be used in any manner for the movement or lifting of personnel.
- The pulling capacity shown is based on the first layer of rope on the drum.
- The rope winding on the drum shall remain 5 wraps from the drum.

Handlebar Rocker Switch Mounting

Handlebar mounted rocker switch can be operated without removing your hand from the grip.



Parts List

Item No.	Description	Part No.	Qty
1	Motor 12V	882036	1
2	Motor support rack	880246	1
3	Motor couple kit	880245	1
4	Drum bushing	880247	2
5	Drum kit	882037	1
6	Tie bar kit	880249	3
7	Gearbox support rack	880250	1
8	Ring gear	880251	1
9	3 rd stage carrier	880252	1
10	2 nd stage carrier	880253	1
11	1 st stage carrier	880254	1
12	1 st shaft kit	880255	1
13	Gearbox & shifter kit	882088	1
14	Synthetic rope w/hook	881065	1
15	Hawse fairlead	881071	1
16	Contactor pack	881037	1
16-1	Contactor w/leads	881385	1
16-2	Battery lead (+)	880234	1
16-3	Battery lead (-)	880235	1
16-4	Motor lead(yellow)	880236	1
16-5	Motor lead(blue)	880237	1
17	Handlebar rocker switch kit	881003	1
18	Mounting hardware	880262	1
19	Handlebar hardware	881561	1
20	Boot kit	880263	1
21	Handsaver strap	880026	1

Winch Assembly

17

